



Digital Mammography Monitor RadiForce® GX530





5MP RadiForce[®] GX530

54 cm (21.3") Monochrome LCD Monitor



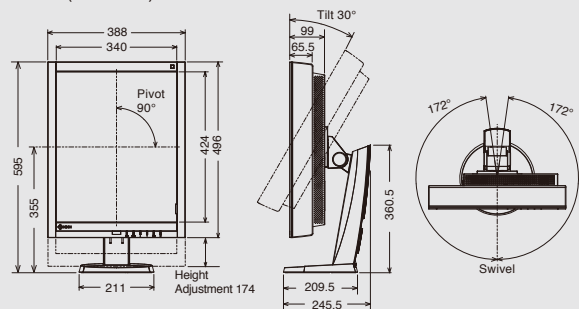
The high brightness of 1,200 cd/m² enables this 5 megapixel monitor to offer a long usage time guarantee of 40,000 hours. With high-end features like the Integrated Front Sensor for self-calibration and the integrated presence sensor for energy savings, the GX530 offers you tomorrow's technology today.

- High contrast ratio of 1200:1 brings out the subtle differences in similar shades of gray.
- Sub-Pixel Drive (SPD) function supports the display of 2048 x 7680 super high resolution (15 mega sub-pixels) suitable for rendering subtle images more sharply.
- Compliant with the DICOM Part 14 standard offering image accuracy and consistency for use in medical fields.
- The Integrated Front Sensor allows the monitor to self-calibrate to the DICOM Part 14 standard and reduce the time and effort needed for quality control.
- The integrated presence sensor unites convenience with energy savings by ensuring that the monitor automatically conserves power when it is not in use.
- 10-bit simultaneous grayscale display for high-definition digital mammography.
- Digital Uniformity Equalizer (DUE) function for optimum brightness uniformity.

Model Variations	GX530-CL: Clear Base GX530-CL-P: Pairing GX530-BL: Blue Base GX530-BL-P: Pairing GX530-CLAR: Clear Base with Anti-Reflective Coating GX530-CLAR-P: Pairing
Cabinet Color	Black
Panel	TFT Monochrome LCD Panel (IPS)
Active Display Size (H x V)	337.9 x 422.4 mm
Viewable Image Size	540 mm diagonal
Native Resolution	2048 x 2560, SPD On: 2048 x 7680
Pixel Pitch	0.165 x 0.165 mm
Grayscale Tones	10-bit (SPD Off, DisplayPort): 1,024 from a palette of 16,369 tones 10-bit (SPD On, DisplayPort): 1,024 from a palette of 8,185 tones 8-bit (SPD Off): 256 from a palette of 16,369 tones 8-bit (SPD On): 256 from a palette of 8,185 tones
Viewing Angles (H,V)	170°, 170°
Brightness (typical)	1,200 cd/m ²
Recommended Brightness for Calibration	500 cd/m ²
Contrast Ratio (typical)	1200: 1
Response Time (typical)	25 ms (On/Off)
Scanning Frequency (H, V)	31 - 135 kHz, 24 - 61 Hz Frame synchronous mode: 24.5 - 25.5 Hz, 49 - 51 Hz
Dot Clock	290 MHz
Input Terminal	DVI-D x 1, DisplayPort x 1
USB Ports	1 upstream, 2 downstream
USB Standard	Rev. 2.0
Power Requirements	AC 100 - 120 V, 200 - 240 V: 50 / 60 Hz
Power Consumption / Save Mode	125 W / Less than 3 W
Sensor	Backlight Sensor, Integrated Front Sensor, Presence Sensor, Ambient Light Sensor

Power Management	DVI DMPM, DisplayPort 1.1a
OSD Languages	English, French, German, Italian, Japanese, Simplified Chinese, Spanish, Swedish, Traditional Chinese
Net Weight (With Stand / Without Stand)	10.5 kg / 7.8 kg
Hole Spacing	VESA standard 100 x 100 mm
Certifications and Standards*	CE (Medical Device Directive), EN60601-1, UL60601-1, CSA C22.2 No. 601-1, IEC60601-1, VCCI-B, FCC-B, Canadian ICES-003-B, C-tick, FDA 510(k) for Mammography and General Radiography pending, RoHS
Supplied Accessories	AC power cord, dual link signal cable (DVI-D ~ DVI-D), signal cable (DisplayPort ~ DisplayPort), USB cable, Utility Disk (RadiCS LE, ScreenManager Pro for Medical, user's manual), ScreenCleaner (GX530-CLAR only), warranty card
Warranty	Five Years

Dimensions (Unit: mm)



* Please contact the EIZO subsidiary or distributor in your country for the latest information.



Eizo Nanao Corporation supports Pink Ribbon activities.



EIZO NANAO CORPORATION

153 Shimokashiwano, Hakusan, Ishikawa 924-8566 Japan
Phone +81-76-277-6792 Fax +81-76-277-6793

radiforce.com

All product names are trademarks or registered trademarks of their respective companies. EIZO, RadiForce, FlexScan, ScreenManager, RadiCS and RadiNET are registered trademarks of Eizo Nanao Corporation. Specifications are subject to change without notice.